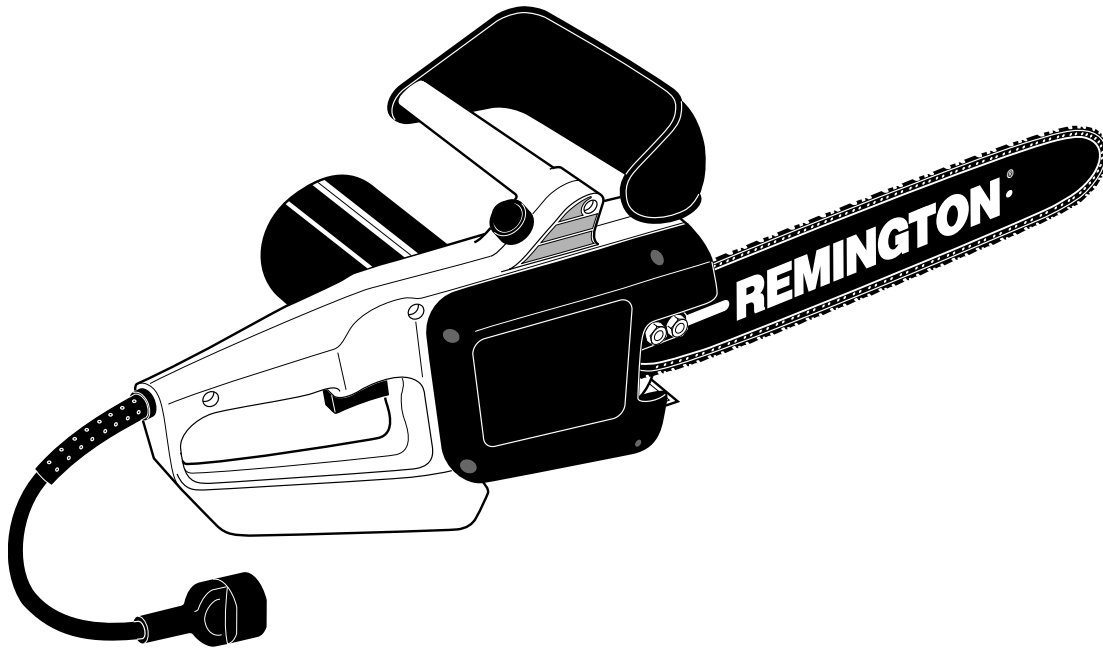


REMINGTON®

ELECTRIC CHAIN SAW

OWNER'S MANUAL



MODELS

LNT-2: 076728K, 099178H, 100089-06, 100089-08, & 107709-01

EL-7: 075762J, 098031J, 099039J, 100089-04, 100089-05,
100089-07, & 107714-02

Pole Saw: 104316-04 (8"), 106890-01(10")

Pole Saw Assembly: 104317 (8"), 106821 (10")

IMPORTANT: Read and understand this manual before assembling or operating this chain saw. Improper use of saw can cause severe injury. Keep this manual for future reference.

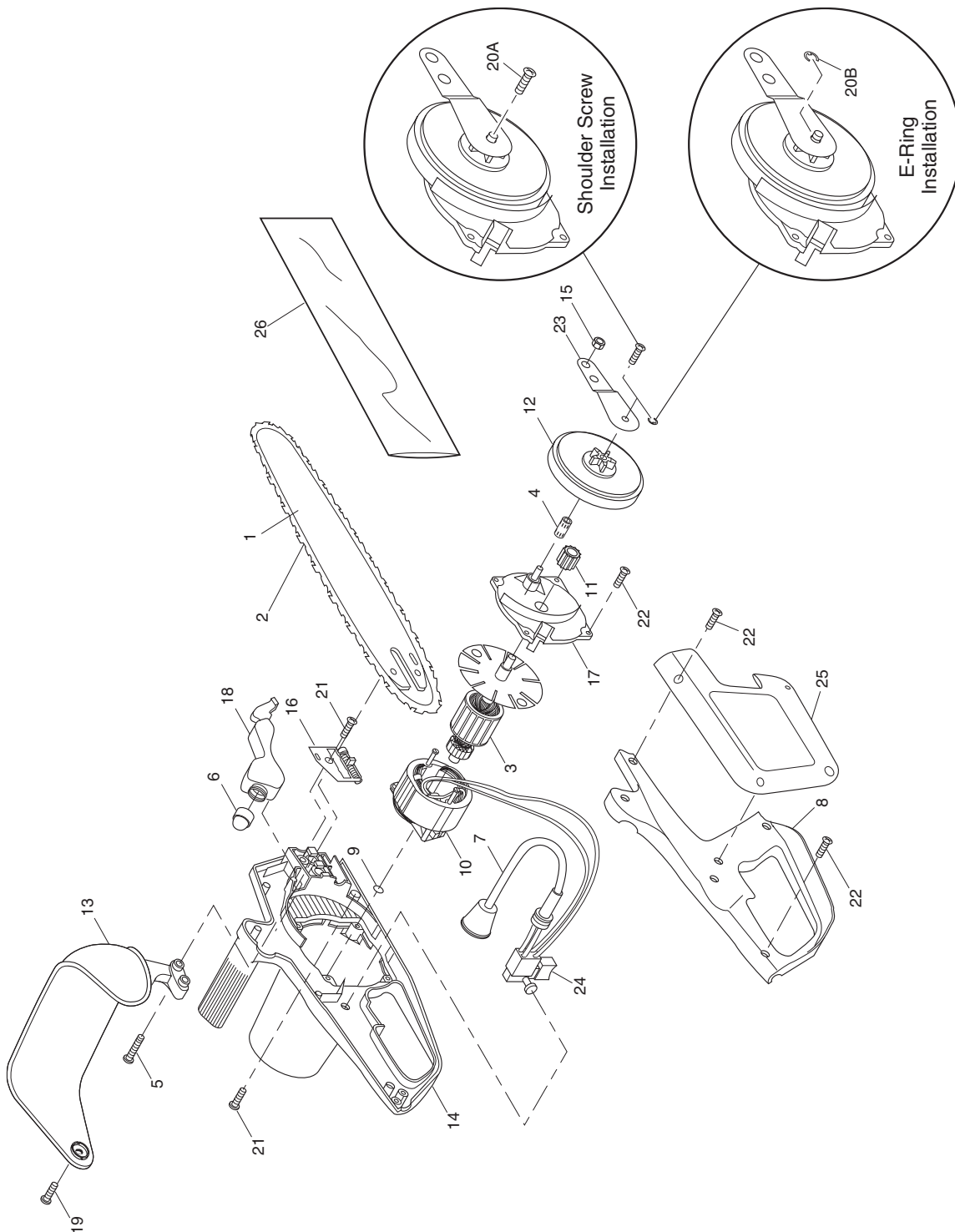


REMINGTON®

ELECTRIC CHAIN SAW

ILLUSTRATED PARTS BREAKDOWN

LNT-2



IMPORTANT: Your chainsaw is assembled with EITHER part 20A OR part 20B depending on your saw's design. See illustration above to determine which saw design you have.

OWNER'S MANUAL

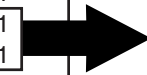
PARTS LIST

This list contains replaceable parts used in your chainsaw. When ordering parts, be sure to provide the correct model and serial numbers (from the model plate), then the part number and description of the desired part.

LNT-2

| KEY NO. | PART NO. | DESCRIPTION | QTY. | | |
|---------|-----------|--------------------------|---------|------------------------|----------------------|
| | | | 099178H | 100089-06 100089-08 | 107709-01 076728K |
| 1 | 097568-01 | Guide Bar, 12" | — | — | 1 |
| | 097570-01 | Guide Bar, 14" | 1 | 1 | — |
| 2 | 091373-02 | Saw Chain | — | — | 1 |
| | 091374-02 | Saw Chain | 1 | 1 | — |
| 3 | 107481-01 | Armature Assembly | 1 | 1 | 1 |
| 4 | 075676 | Sprocket Roller Bearing | 1 | 1 | 1 |
| 5 | 076744 | Hex-Head Bolt | 2 | 2 | 2 |
| 6 | 107512-01 | Cap & Bulb Assembly | 1 | 1 | 1 |
| 7 | 099829-01 | Cord | 1 | 1 | 1 |
| 8 | 077399-02 | Side Cover, Black | — | 1 | — |
| 9 | 076105 | Thrust Disk | 1 | 1 | 1 |
| 10 | 107482-01 | Field & Brush Assembly | 1 | 1 | 1 |
| 11 | 059606 | Drive Gear | 1 | 1 | 1 |
| 12 | 107713-01 | Internal Gear | 1 | 1 | 1 |
| 13 | 106809-01 | Front Hand Guard | 1 | 1 | 1 |
| 14 | 079089-02 | Motor Housing, Black | 1 | 1 | 1 |
| 15 | NPC-4C | Hex Nut | 2 | 2 | 2 |
| 16 | 077115 | Adjusting Plate Assembly | 1 | 1 | 1 |
| 17 | 075887 | Bearing Plate | 1 | 1 | 1 |
| 18 | 079086-02 | Oil Reservoir | 1 | 1 | 1 |
| 19 | 097403-01 | Pan-Head Screw | 1 | 1 | 1 |
| 20A | 076905 | Pan-Head Shoulder Screw | 1 | 1 | 1 |
| 20B | 108120-01 | E-Ring | 1 | 1 | 1 |
| 21 | 076906 | Flat-Head Tap Screw | 2 | 2 | 2 |
| 22 | 107708-01 | Pan-Head Tap Screw | 10 | 10 | 10 |
| 23 | 077143 | Sprocket Support | 1 | 1 | 1 |
| 24 | 077525S | Lock-Off Switch | 1 | 1 | 1 |
| 25 | 106810-01 | Sprocket Cover, Black | 1 | 1 | 1 |
| 26 | 079963-02 | Scabbard | — | — | 1 |
| | 079963-04 | Scabbard | 1 | 1 | — |

IMPORTANT: Your chainsaw is assembled with **EITHER** part 20A **OR** part 20B depending on your saw's design. See illustration on previous page to determine which saw design you have.

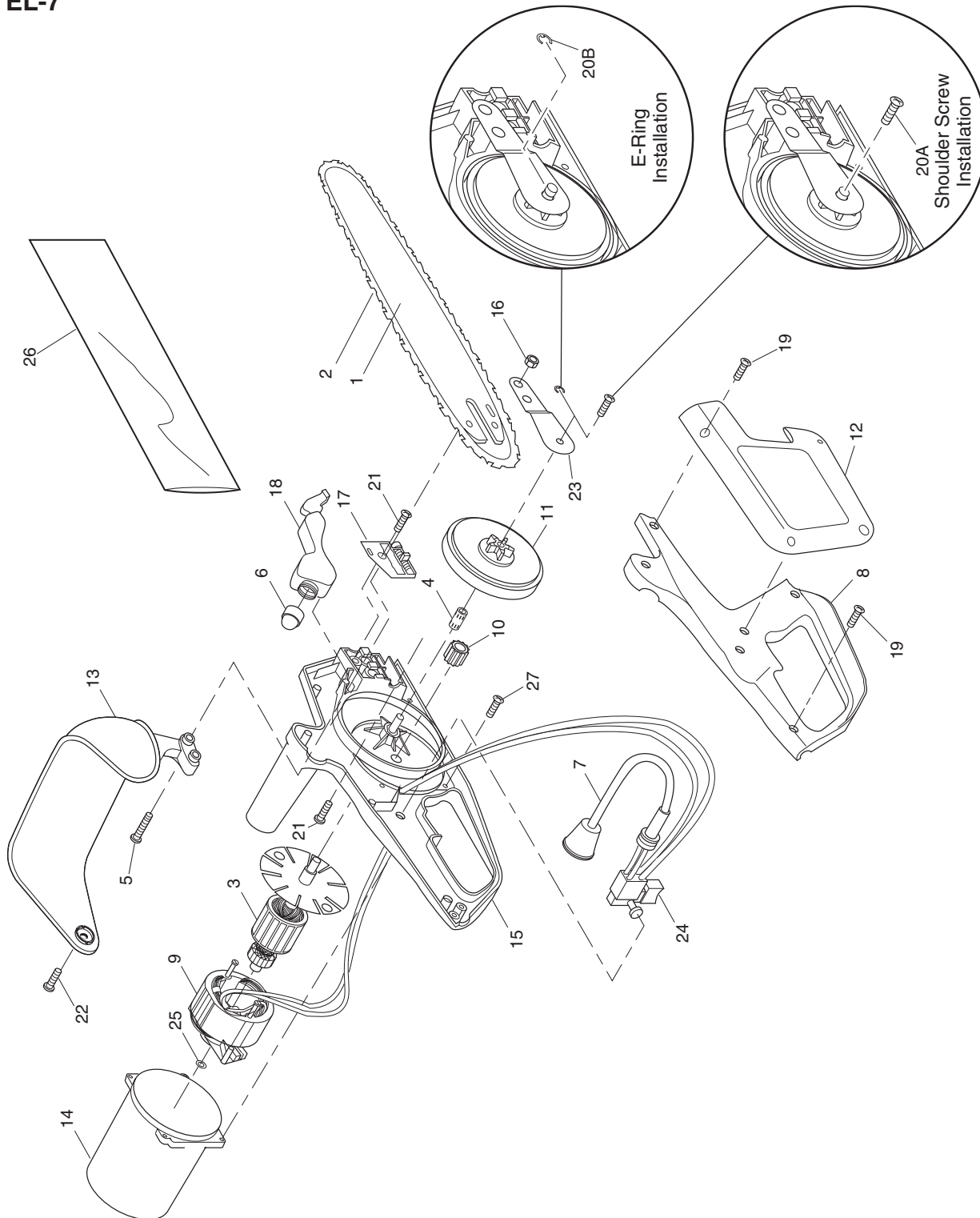


REMINGTON®

ELECTRIC CHAIN SAW

ILLUSTRATED PARTS BREAKDOWN

EL-7



IMPORTANT: Your chainsaw is assembled with EITHER part 20A OR part 20B depending on your saw's design. See illustration above to determine which saw design you have.

OWNER'S MANUAL

PARTS LIST

This list contains replaceable parts used in your chainsaw. When ordering parts, be sure to provide the correct model and serial numbers (from the model plate), then the part number and description of the desired part.

EL-7

| KEY NO. | PART NO. | DESCRIPTION | QTY. | |
|------------------------------------|-----------|------------------------------------------------------------------------------------------|----------------------|----------------------------------------------|
| | | | 075762J 100089-07 | 098031J 099039J 100089-05 107714-02 |
| 1 | 097570-01 | Guide Bar, 14" | 1 | — |
| | 097572-01 | Guide Bar, 16" | — | 1 |
| 2 | 091374-02 | Saw Chain | 1 | — |
| | 091375-02 | Saw Chain | — | 1 |
| 3 | 100933-01 | Armature | 1 | 1 |
| 4 | 075676 | Sprocket Roller Bearing | 1 | 1 |
| 5 | 076744 | Hex-Head Bolt | 2 | 2 |
| 6 | 107512-01 | Oil Reservoir Cap | 1 | 1 |
| 7 | 099829-01 | Cord | 1 | 1 |
| 8 | 077399-02 | Side Cover, Black | 1 | 1 |
| 9 | 098042-01 | Field | 1 | 1 |
| 10 | 059606 | Drive Gear | 1 | 1 |
| 11 | 107713-01 | Internal Gear | 1 | 1 |
| 12 | 106810-01 | Sprocket Cover | 1 | 1 |
| 13 | 106809-01 | Front Hand Guard | 1 | 1 |
| 14 | 076053 | Motor Housing Assembly | 1 | 1 |
| 15 | 097034-02 | Housing Assembly | 1 | 1 |
| 16 | NPC-4C | Hex Nut | 2 | 2 |
| 17 | 077115 | Adjusting Plate Assembly | 1 | 1 |
| 18 | 079086-02 | Oil Reservoir | 1 | 1 |
| 19 | 059046 | Pan-Head Tap Screw | 6 | 6 |
| 20A | 107708-01 | Pan-Head Shoulder Screw | 1 | 1 |
| 20B | 108120-01 | E-Ring | 1 | 1 |
| 21 | 076906 | Flat-Head Tap Screw | 2 | 2 |
| 22 | 097403-01 | Pan-Head Screw | 1 | 1 |
| 23 | 077143 | Sprocket Support | 1 | 1 |
| 24 | 077525S | Lock-off Switch | 1 | 1 |
| 25 | 058059 | Thrust Washer | 1 | 1 |
| 26 | 079963-04 | Scabbard | 1 | 1 |
| 27 | 059045 | Pan Head Tap Screw | 4 | 4 |
| PARTS AVAILABLE - NOT SHOWN | | | | |
| | 079882-01 | Hardware Package Includes: 2 - NPC-4C Nuts 2 - 076744 Bolts 1 - 097403-01 Screw | 1 | 1 |

IMPORTANT: Your chainsaw is assembled with EITHER part 20A OR part 20B depending on your saw's design. See illustration on previous page to determine which saw design you have.

